

# China's invention patent name: a modified screw air end structure

The invention patent no.: ZL2008 1 0025355.0



GCU11



GCU30



GCU55



CC11



CU30



GCU30G



ZCU系列



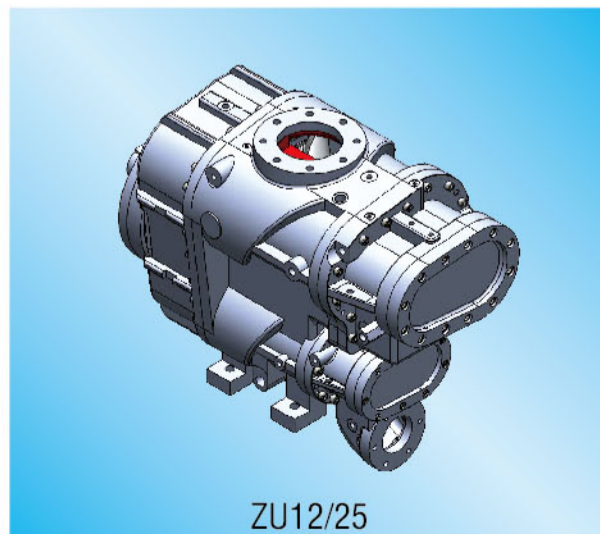
CDC11



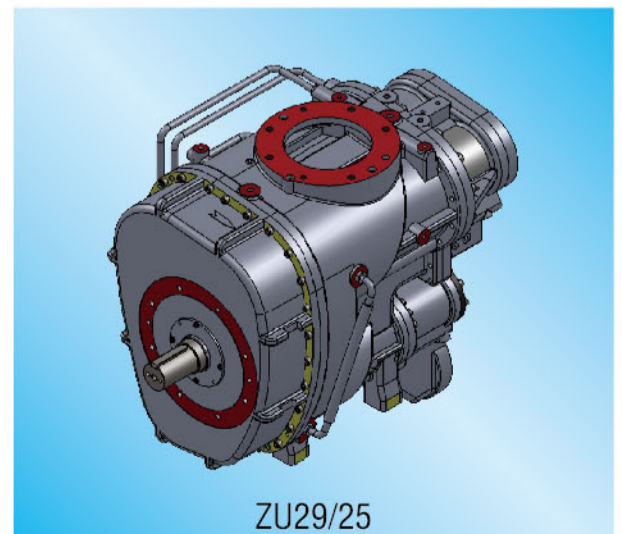
GCU37



ZU55



ZU12/25



ZU29/25